

BHEEM Series PCVCB



Scan to contact us

Porcelain Clad Vacuum Circuit Breakers

Up to 36kV

Welcome to **MEGAWIN**

MEGAWIN is a leading brand of medium voltage products in India, offering complete range of medium voltage switchgear, dry type transformers, protection & control devices and solutions for voltage classes up to 36kV.

MEGAWIN dedicates itself to benefitting the society at large by innovation, so as to achieve a more productive, safe, reliable and sustainable future. This is achieved through low down-time, maximized operator safety, low cost of ownership and enhanced product life cycle through low maintenance & up-keep cost.



MEGAWIN dedicates itself to benefitting the society at large by innovation

Leveraging the deep domain knowledge and application engineering experience, MEGAWIN delivers products that are engineered for life and benefitting solutions across power utility sector, large process industries like steel, cement, textile, mining, power generation, transmission and distribution, commercial establishments like Banks, BPOs, IT Parks, and national infrastructure like railways, airports, shipyards and renewable energy production.

About us

After a humble start in 1987, by manufacturing substitute parts for almost every imported switchgear, the Company grew steadily in size, infrastructure and product portfolio. Today, with 5 large state-of-the-art factories, equipped with the latest in manufacturing and testing technology, the Company manufactures almost all parts of the finished electrical products, in-house.

MEGAWIN attributes its success to their core strength, i.e., Integrated Design & Manufacturing. Assisted by a strong research and development team, with decades of experience in the specific field of engineering, the company combines latest switchgear technology available from all over the world, combines & packs them efficiently so as to present an optimum and versatile switchgear solution for a variety of applications in all segments of Industries.



MEGAWIN has moulded its success on innovation. Since inception of the brand, its architects opted that innovation is the key to success for every product in the brand. Presently the company is ranked among the best medium voltage product manufacturers across the nation and recognized for giving solutions that focus on enhancing efficiency, reliability and safe distribution of electricity.

During the span of last four decades, passion for innovation to achieve success and un-deterred hard work earned MEGAWIN phenomenal prominence in medium voltage market segment to the extent that that MEGAWIN products are preferred by choice not only in India but also in the global market.

Auto Reclosers

BHEEM Series of porcelain clad vacuum circuit breakers are structure mounted, easy to use devices for outdoor applications in 12kV and 36kV systems. They come with well proven vacuum interrupters from Megawin with adequate phase clearances and heights, suited for overhead lines and cables. Bheem series of VCB come with unparalleled performance by incorporating current sensors and voltage sensors on to the terminal pads

The usage of current sensors and voltage sensors is to make the system maintenance free and failure free by reducing the total cost of ownership and the footprint of the substation.

Standards

Bheem Series of porcelain clad vacuum circuit breakers provide safety and protection for a wide range of applications ranging from power utilities, industries and infrastructure by complying with the latest IEC standards.

- IS/IEC 62271-1 -General purpose
- IEC 62271-200 -Switchgear
- IEC 62217- 100- Circuit breaker
- IEC 60255- Measuring relays and protective equipment
- IEC 60044-7-8 Electronic current and voltage sensors



BHEEM Series

PCVCB

Current Sensors:

Current sensors are direct replacement to conventional current transformers. They provide a wide current range in one design, avoiding the need to specify. These liner devices are failure as they do not have an iron core and do not saturate even at 40 times the primary current. Each current sensor is build for both metering (class 0.2) and protection (5P40).

Voltage Sensors:

Voltage sensors are direct replacement to conventional potential transformers. They work on a proven capacitive voltage divider principle which helps to operate in a linear fashion over a wide range.



Accurate



Embedded current and voltage sensors



Failure Free



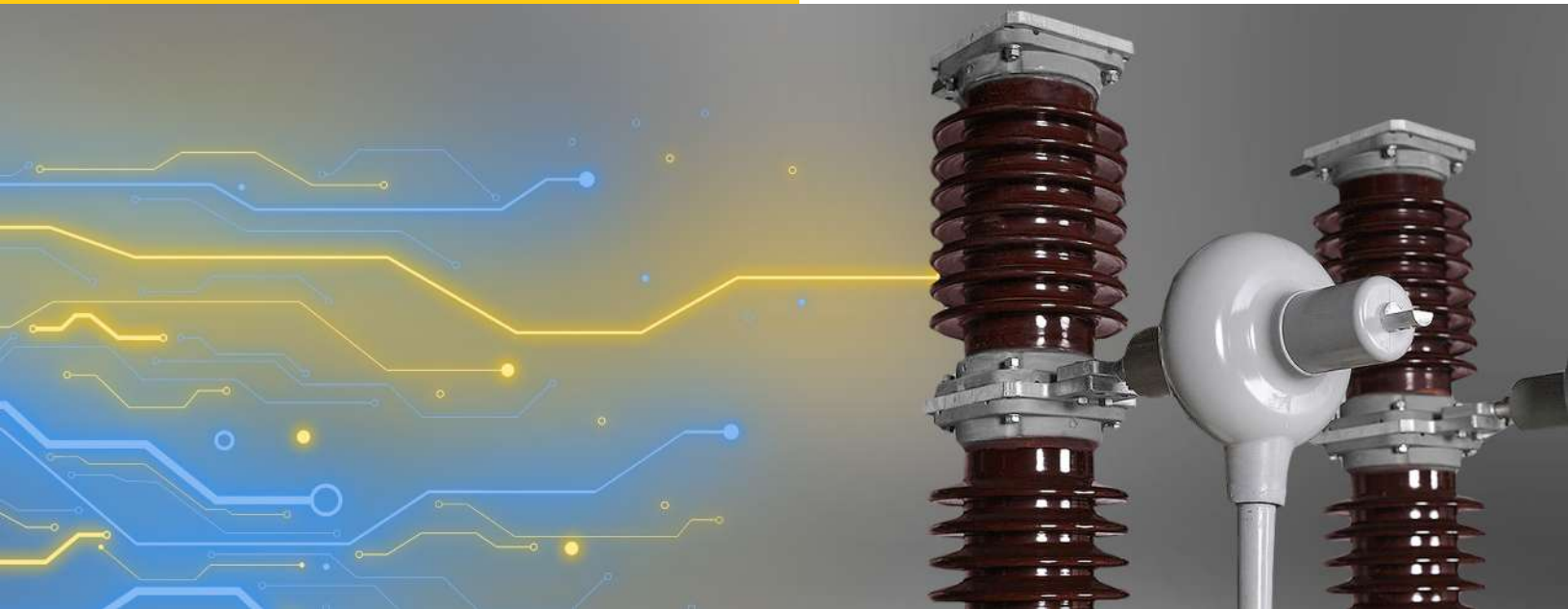
Metering



Protection



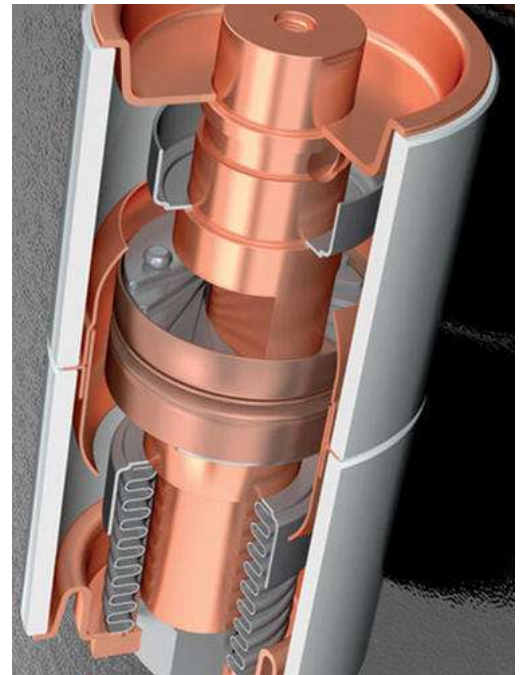
Safe



Vacuum Interrupter

Safe, reliable, compact

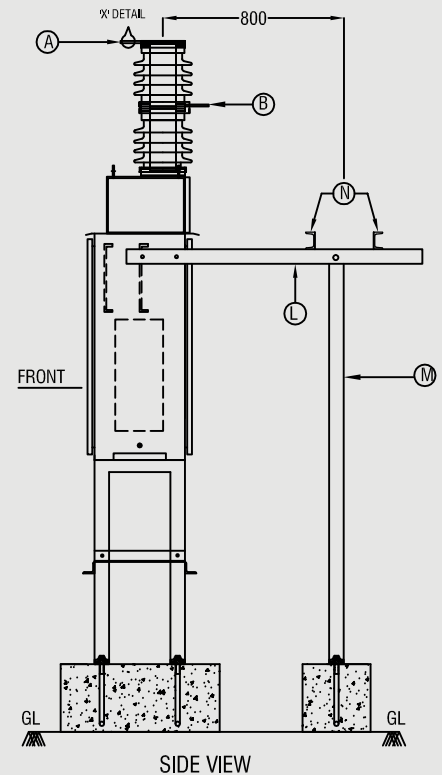
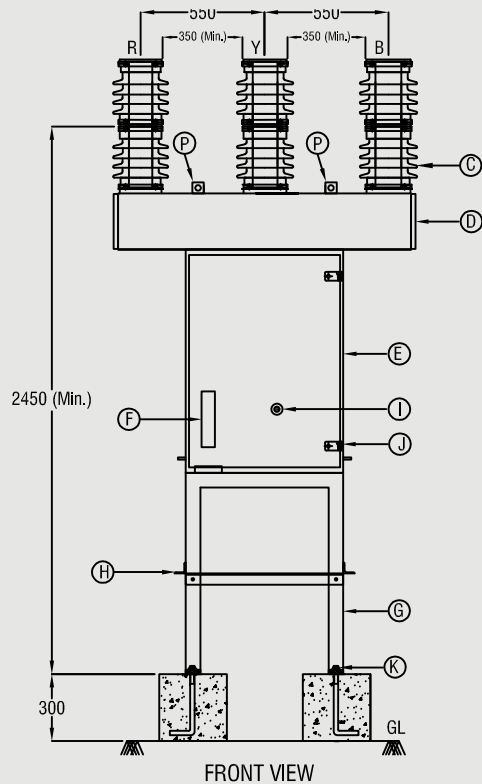
M-Smart comes with vacuum as the interrupting medium. The vacuum interrupters are manufactured by MEGAWIN in a dedicated plant located in Salem, Tamil Nadu with state of the art facility. Thanks to the unequalled properties of vacuum and the breaking technique used, the current interruption takes place without chopping and without over voltages. Restoration of the dielectric property following interruption is extremely rapid.



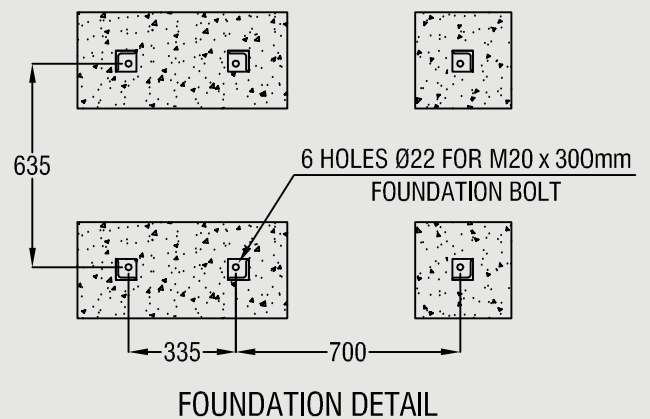
Capable of breaking fault current up to 25kA, the powerful interrupters use the most advanced interruption techniques. The application of axial magnetic field to a high-current vacuum arc permits the arc to be eliminated in a diffuse mode, and hence is suitable for breaking high current. The contact profile evenly distributes the arc to the entire surface of the contacts, increasing the life of the interrupter. The contacts are made of Copper Chromium and are vacuum braced to the copper terminals. A metallic bellow allows movement of the moving contact terminal group, at the same time guaranteeing that the vacuum is maintained in the interrupter.

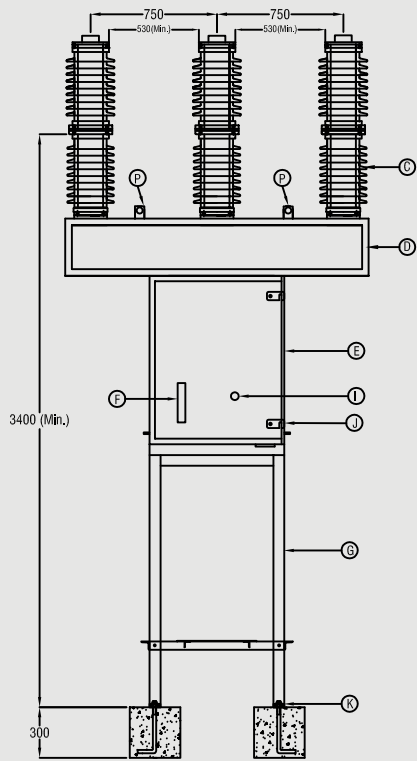
Interrupters used in m-Smart series of metal clad switchgear are zero current interrupters and are free of any restriking phenomena. Also these interrupters are sealed by single shot brazing technique, making the interrupters sealed for life

BHEEM Series

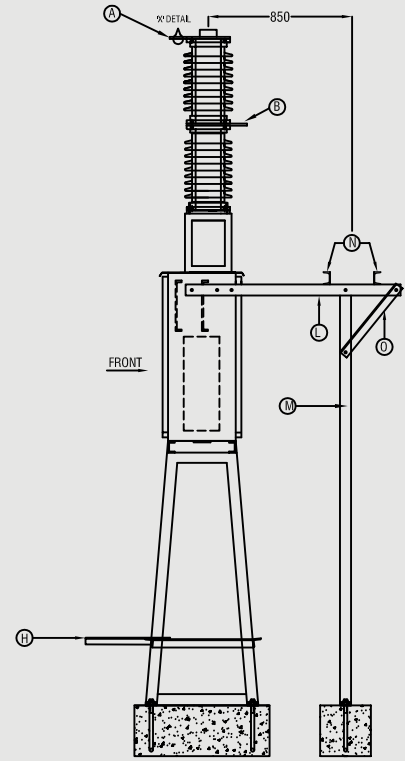


A. Top Terminal	3 Nos
B. Bottom Terminal	3 Nos
C. Support Insulator	6 Nos
D. Drive Changer	1 Nos
E. Mechanism Chamber	1 Nos
F. View Glass	1 Nos
G. Bottom Structure	1 Nos
H. Platform	1 Nos
I. Emergency Push Button	1 Nos
J. Lock Handle	2 Nos
K. Foundation Bolt	6 Nos
L. CT Horizontal Angle	2 Nos
M. CT Vertical Angle	2 Nos
N. CT Mounting Angle	2 Nos
O. CT Support Structure	2 Nos
P. Lifting Hook	4 Nos

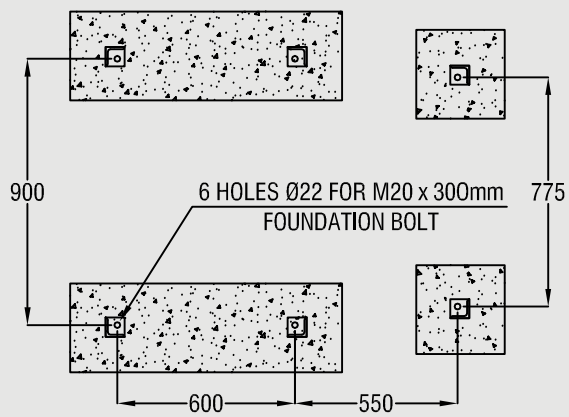




FRONT VIEW



SIDE VIEW



FOUNDATION DETAIL

Guaranteed technical particulars

BHEEM Series

Parameters	12kV	36kV
Number of poles	3	3
Rated Voltage	12kV	36kV
Rated Current	630A/800A/1250A	630A/800A/1250A
Short time current withstand capacity	25kA	25kA
Rated Frequency	50Hz	50Hz
Power Frequency withstand voltage	28kV(rms) for_min	70kV(rms) for_min
Lightning impulse withstand voltage	75kV peak	170kV peak
Short circuit breaking capacity	25kA/3Sec	25kA/3Sec
Short circuit making capacity	62.5KA	62.5KA
Short time withstand current	25kA/3sec	25kA/3sec
Operating sequence	O-0.3 Sec- CO-3 min CO	O-0.3 Sec- CO-3 min CO
Degree of protection for switching unit	IP54	IP54
Degree of protection for control cabinet	IP54	IP54
Design temperature	50C	50C
Auxiliary voltage	24V DC/110V DC	24V DC/110V DC
Circuit breaker type	Pedestal/substation mounted	Pedestal/substation mounted
Interrupting medium	Vacuum	Vacuum
Insulation medium	Solid	Solid
Operating Mechanism	Spring/ Magnetic Actuator	Spring/ Magnetic Actuator
Mechanical life	10,000 Operations	10,000 Operations
Electrical life at rated current	100 operation	100 operation
Relevant standards	IEC 62271-100	IEC 62271-100

Contact us

E-mail

info@megawin.co.in

Call

+91-8929599797

Website

www.megawinswitchgear.com

Address

MEGAWIN SWITCHGEAR-P-LTD
Post Box No.: 434, Alagapuram Post,
Perumal Malai Adivaram,
Salem 636 004, India



Scan here for location

