

# Load Break Switch



Scan to contact us

**Up to 36kV**

# Welcome to **MEGAWIN**

MEGAWIN is a leading brand of medium voltage products in India, offering complete range of medium voltage switchgear, dry type transformers, protection & control devices and solutions for voltage classes up to 36kV.

MEGAWIN dedicates itself to benefitting the society at large by innovation, so as to achieve a more productive, safe, reliable and sustainable future. This is achieved through low down-time, maximized operator safety, low cost of ownership and enhanced product life cycle through low maintenance & up-keep cost.



## MEGAWIN dedicates itself to benefitting the society at large by innovation

Leveraging the deep domain knowledge and application engineering experience, MEGAWIN delivers products that are engineered for life and benefitting solutions across power utility sector, large process industries like steel, cement, textile, mining, power generation, transmission and distribution, commercial establishments like Banks, BPOs, IT Parks, and national infrastructure like railways, airports, shipyards and renewable energy production.

# About us

After a humble start in 1987, by manufacturing substitute parts for almost every imported switchgear, the Company grew steadily in size, infrastructure and product portfolio. Today, with 5 large state-of-the-art factories, equipped with the latest in manufacturing and testing technology, the Company manufactures almost all parts of the finished electrical products, in-house.

MEGAWIN attributes its success to their core strength, i.e., Integrated Design & Manufacturing. Assisted by a strong research and development team, with decades of experience in the specific field of engineering, the company combines latest switchgear technology available from all over the world, combines & packs them efficiently so as to present an optimum and versatile switchgear solution for a variety of applications in all segments of Industries.



MEGAWIN has moulded its success on innovation. Since inception of the brand, its architects opted that innovation is the key to success for every product in the brand. Presently the company is ranked among the best medium voltage product manufacturers across the nation and recognized for giving solutions that focus on enhancing efficiency, reliability and safe distribution of electricity.

During the span of last four decades, passion for innovation to achieve success and un-deterred hard work earned MEGAWIN phenomenal prominence in medium voltage market segment to the extent that that MEGAWIN products are preferred by choice not only in India but also in the global market.

# Load Break Switch

Megawin load break switches (disconnecter switches) are switching devices used to switch electrical circuits in load operating state. They find usage in switchgear cabinets and MV switching stations of indoor and outdoor panel, kiosk and ring main units. Megawin Load Break Switch comes with optional earth switch, HRC fuses and live line indicators. Modular design allows easy and cost-effective maintenance.

## Standards

Load break switches provides safety and protection for a wide range of application by complying to the following IEC standards.

- IEC 62217-1- 102/103/200

## Typical users

The design of load break switch is based on safety and built for the toughest of conditions. This series of switchgear can be used in transformer substations and switching substations in the following industries.

- Process industries
- Commercial Spaces
- Large residential spaces
- Hospitals
- Ring main gear
- Packages substations
- Unitised substations
- EB metering



## Interlocks

- Pad locking for the for the front door
- Front door- cannot be opened while the switch in ON
- Pad locking facility- front door, min switch and earth switch

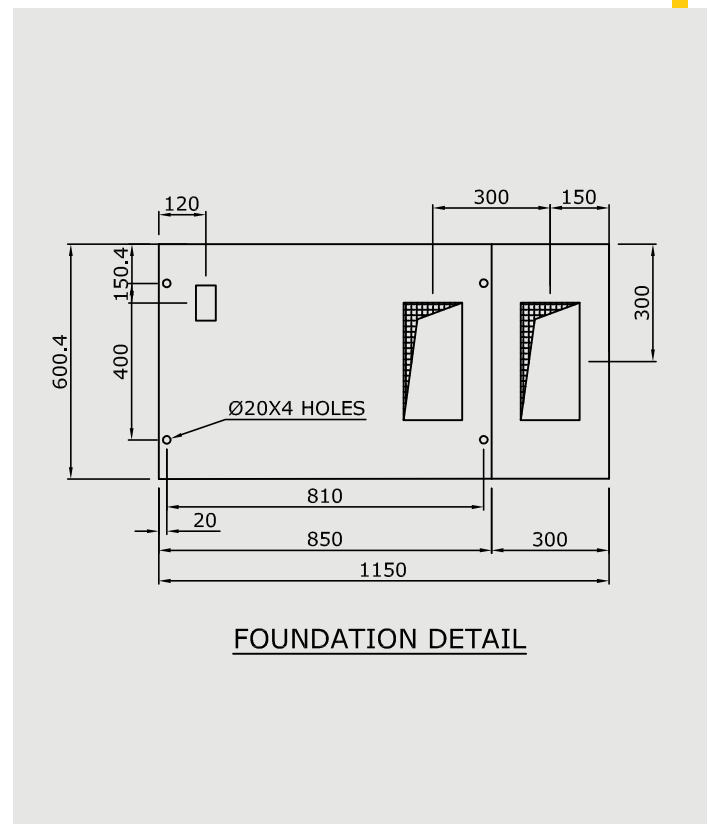
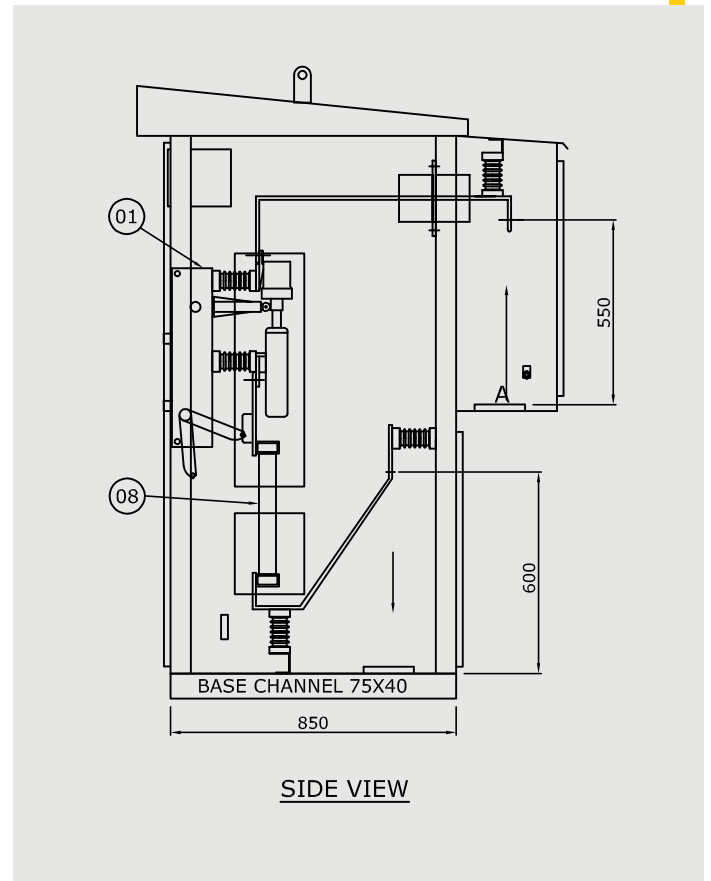
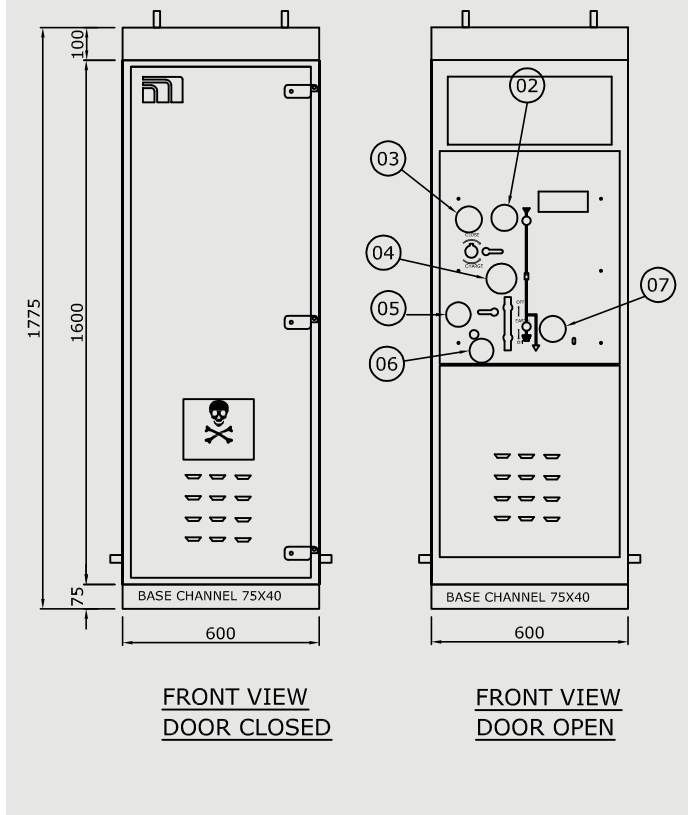
## Additional features

- Earth Switch
- HT HRC Fuse
- Fuse Trip Arrangement
- Mechanical Trip Push Button Shunt Trip Coll
- Live Line Indicators
- Fault Passage Indicators
- Electrical ON/OFF Indications
- Remote Electrical Trip
- Auxiliary Contacts (2 N.O. + 2 N.C.)
- Illumination Lamp with Door Limit Switch

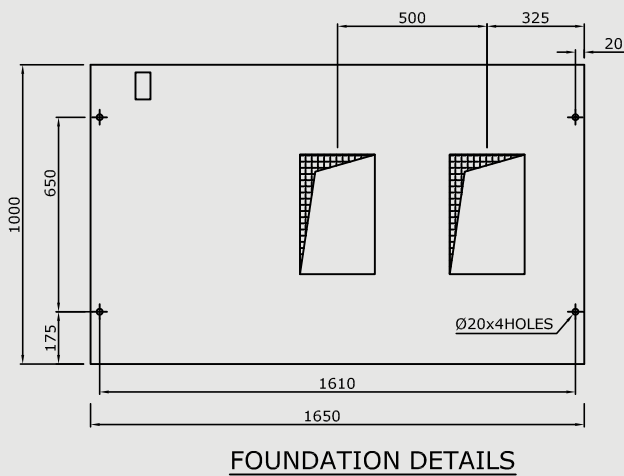
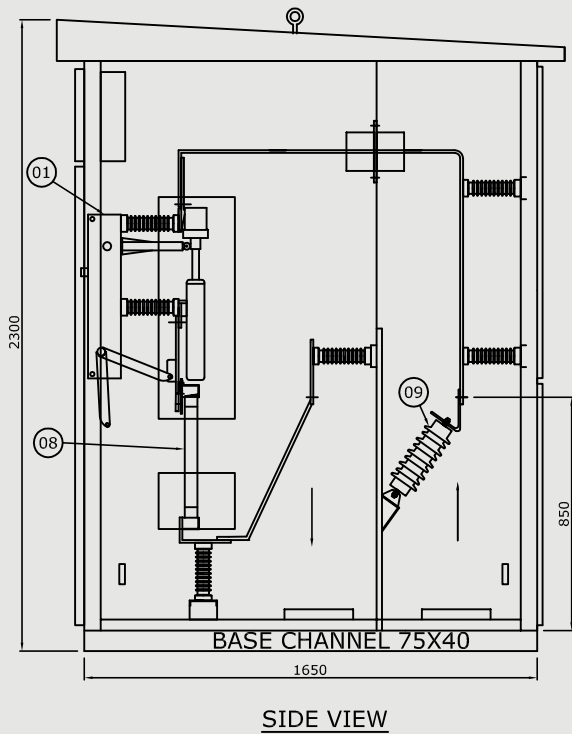
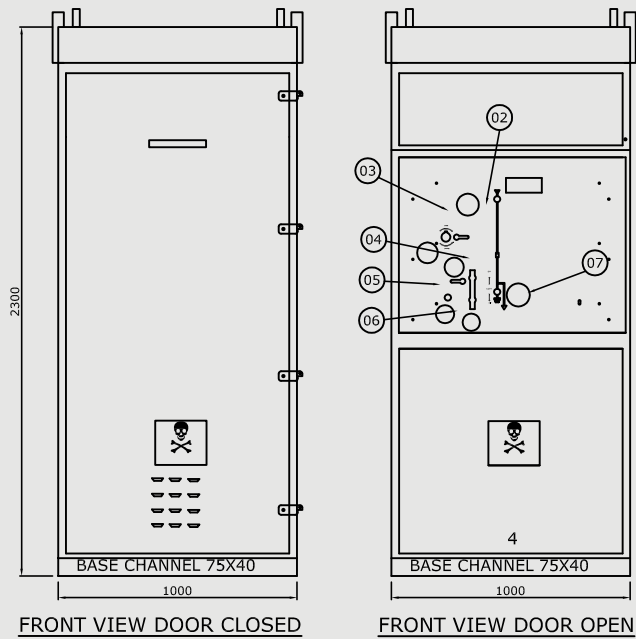
## Features and benefits

- Fully type tested
- Conforms to all latest IEC standards
- Can work with current sensors and voltage sensors
- Unparalleled performance with MF790c controller and sensors
- Fully type tested
- Conforms to all latest IEC standards
- Proper synchronised operation between vacuum interrupter and operating mechanism
- Highly reliable, robust and safe

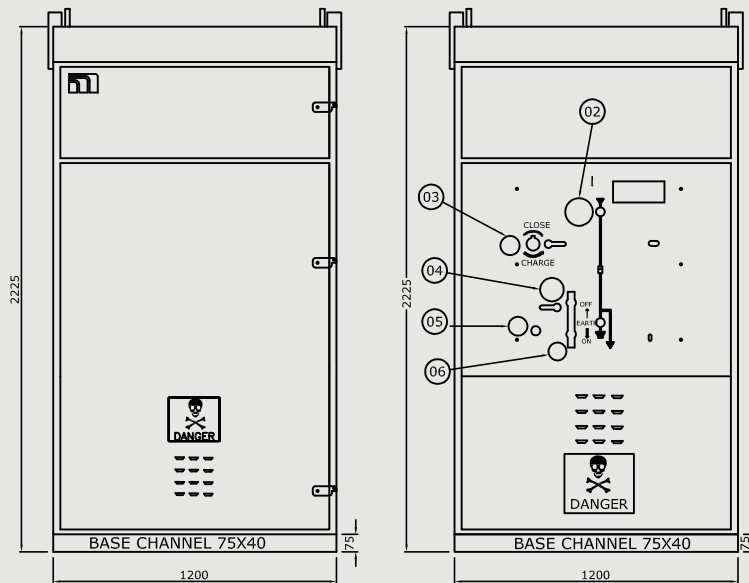
# Load Break switch



- 01. Load Break Switch With
- 02. Mechanical ON/OFF Indication
- 03. Main Switch Operating Port
- 04. Earth Switch Operating Port
- 05. Earth Switch Interlock
- 06. Manual Trip
- 07. Mechanical ON/OFF Indication
- 08. HT HRC Fuse

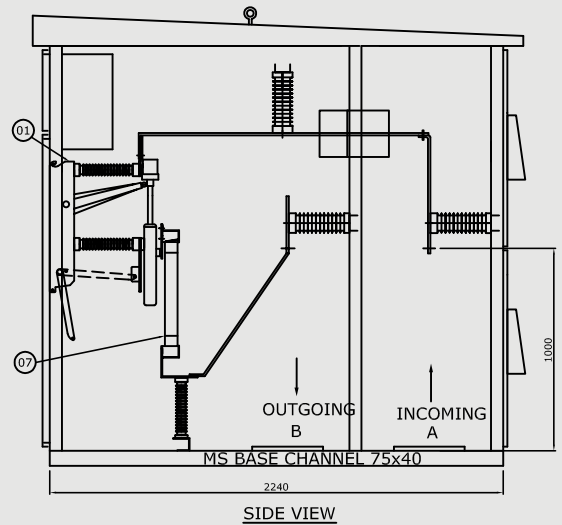


- 01. Load Break Switch With
- 02. Mechanical ON/OFF Indication
- 03. Main Switch Operating Port
- 04. Earth Switch Operating Port
- 05. Earth Switch Interlock
- 06. Manual Trip
- 07. Mechanical ON/OFF Indication
- 08. HT HRC Fuse
- 09. Surge Arrester

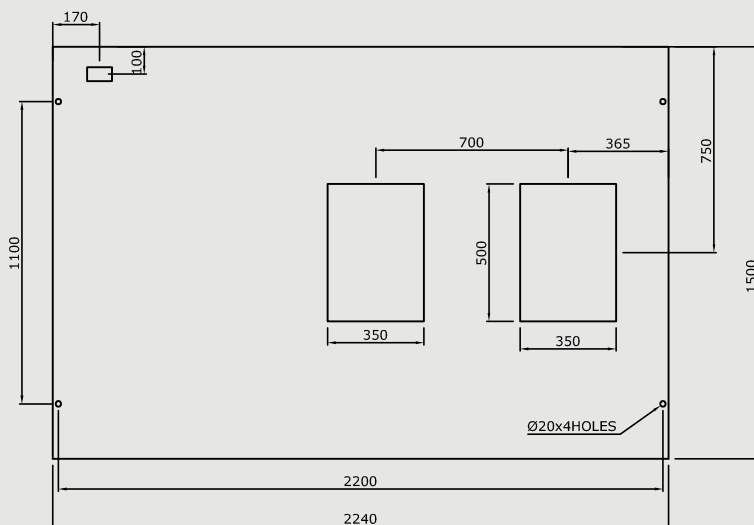


FRONT VIEW  
WITH FRONT DOOR

FRONT VIEW  
WITHOUT FRONT DOOR



SIDE VIEW



FOUNDATION DETAILS

01. Load Break Switch With
02. Mechanical ON/OFF Indication
03. Main Switch Operating Port
04. Earth Switch Operating Port
05. Earth Switch Interlock
06. Manual Trip
07. HT HRC Fuse



# Guaranteed technical particulars

## Load Switch Break

Parameters	12kV	24kV	36kV
Rated Voltage	12kV	24kV	36kV
Rated Current	630A	630A	630A
Rated insulation level	12kV/28kV/75kV	24kV/50kV/125kV	36kV/70kV/170kV
Rated Frequency	50Hz	50Hz	50Hz
Rated Short time current for 1sec.	26.3kA	26.3kA	26.3kA
Rated breaking capacity	630A	630A	630A
Rated Short circuit making capacity	65.75kAp	65.75kAp	65.75kAp
Stunt Trip Coil Voltage	24/30/48/110/220V AC/DC		
Stunt Trip Coil Voltage Operating Range	70% to 110%		
Auxiliary Contacts	2 N.O. + 2 N.C		
Applicable Standards	IS/IEC 62271-102/103/200		

# Contact us

## E-mail

info@megawin.co.in

## Call

+91-8929599797

## Website

www.megawinswitchgear.com

## Address

MEGAWIN SWITCHGEAR-P-LTD  
Post Box No.: 434, Alagapuram Post,  
Perumal Malai Adivaram,  
Salem 636 004, India



*Scan here for location*

